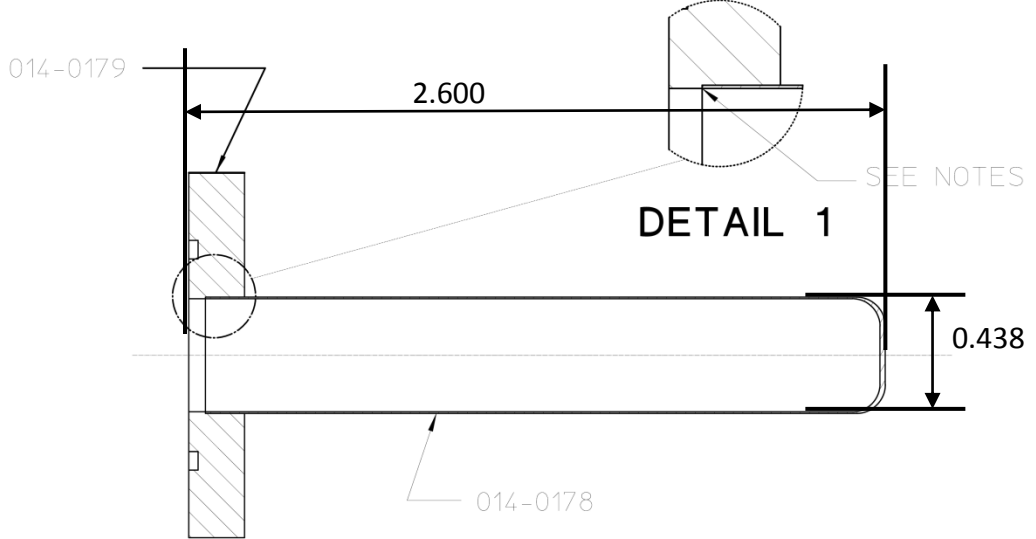
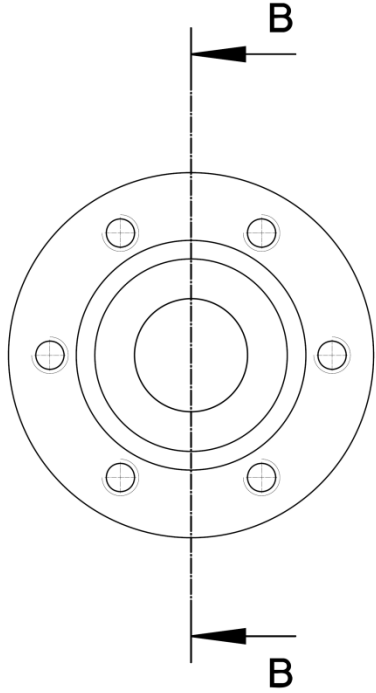


REVISIONS				
No.	ZONE	ECN	CHANGE	DATE
1.1				



SECTION B-B
SCALE 2:1

NOTES:
1. ELECTRON BEAM WELD
2. HELIUM LEAK CHECK TO A RATE OF
LESS THAN 1×10^{-7} ATM-CC/SEC

MATERIAL SPECIFICATION		APPROVALS		UNLESS OTHERWISE SPECIFIED DIMENSIONS ARE IN INCHES TOLERANCES ARE: DECIMALS FRACTIONS .XXX ±.005 ±.015 .XX ±.01 ANGLES ±.5	 National Institute of Standards and Technology Technology Administration, U.S. Department of Commerce	CENTER FOR NEUTRON RESEARCH 100 BUREAU DRIVE GAITHERSBURG, MD. 20899		
MATERIAL	ENGR	DATE						
SIZE	MATERIAL FORM	ENGR MNGR	DATE					
CAD DATA		ANNOTATION DRAWING DATA		DO NOT SCALE DRAWING	FOR			
PART NAME	STATE	DATE		THIRD ANGLE PROJECTION				
CREATOR Jim Larock	DATE 07/17/03	VERSION 1.1	SHEETS		SIZE B	DWG No. 014-0177	REV 1.1	
STATE work	DATE 1/17/03 5:19 PM	DRAFTER Jim Larock	DATE	ENGINEER Jim Larock	SCALE 1:1	RELEASE DATE	NEXT ASSY.	SHEET 2 of 2
LAST UPDATE BY allen	DATE 2/2/06 2:57 PM	LAST UPDATE BY allen	DATE 2/2/06 2:57 PM	PHONE # (301) 975-6239	CALC. WT.	ACT. WT.	DIM. & TOL. PER ANSI Y14.5M-1982	