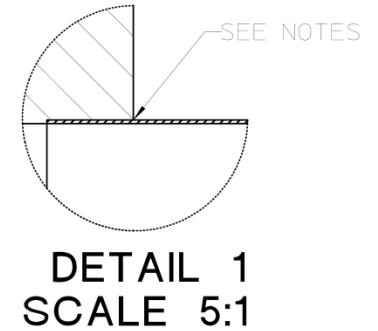
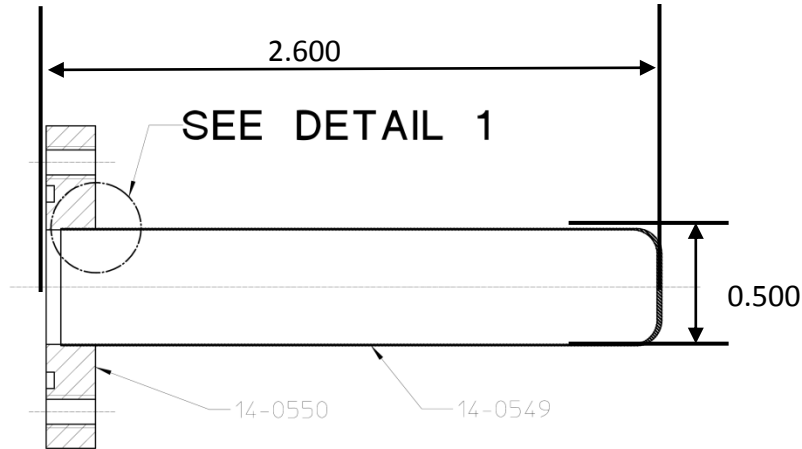
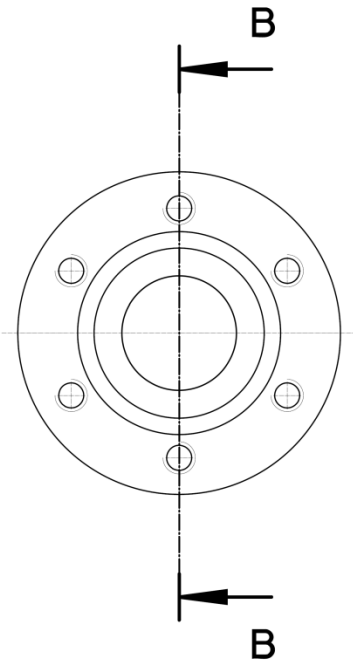


REVISIONS				
No.	ZONE	ECN	CHANGE	DATE
1				



SECTION B-B
SCALE 2:1

NOTES:
 1. ELECTRON BEAM WELD
 2. HELIUM LEAK CHECK TO A RATE OF
 LESS THAN 1×10^{-7} ATM-CC/SEC

MATERIAL SPECIFICATION		APPROVALS		UNLESS OTHERWISE SPECIFIED DIMENSIONS ARE IN INCHES TOLERANCES ARE: DECIMALS FRACTIONS .XXX +.005 x.DT5 .XX +.01 ANGLES +.5	 National Institute of Standards and Technology Technology Administration, U.S. Department of Commerce	CENTER FOR NEUTRON RESEARCH	
MATERIAL		ENGR	DATE			DO NOT SCALE DRAWING THIRD ANGLE PROJECTION	100 BUREAU DRIVE GAITHERSBURG, MD. 20899
FORM	SIZE	ENGR MNGR	DATE	ASY_DD_V_SMPL_CAN500			
MODEL DATA		DRAWING DATA		FOR	SCALE	RELEASE DATE	SHEET
MODEL NAME	DATE	STATE	DATE	SIZE	DWG No.		REV
asy_dd_v_smpl_can500	1/6/06 2:01 PM	work	1/11/06 2:30 PM	B	014-0575		1
CREATOR	DATE	VERSION	SHEETS	SCALE	1:1		2 of 2
alien	1/6/06 2:01 PM	1	1	CALC. WT.	ACT. WT.	DIM. & TOL. PER ANSI Y14.5M-1982	
		DRAFTER	DATE	ENGINEER			
		alien	1/11/06 2:30 PM	alien			
		LAST UPDATE BY	DATE	PHONE #			
		alien	2/1/06 1:09 PM				