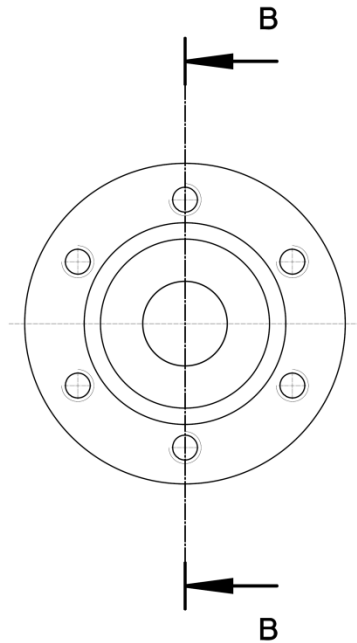
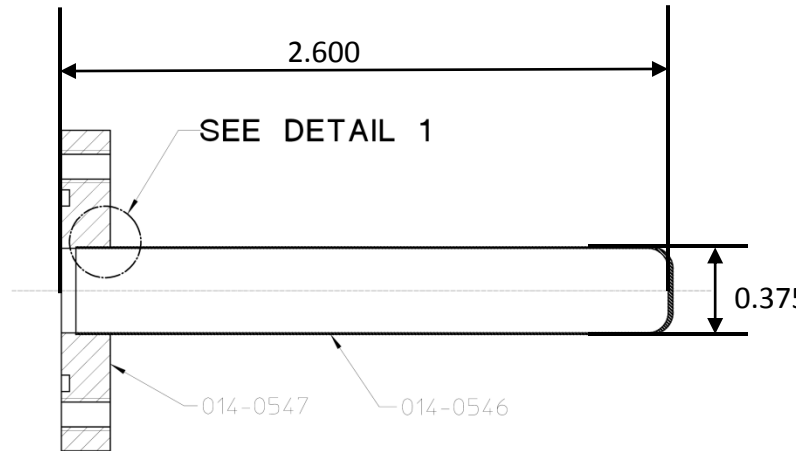


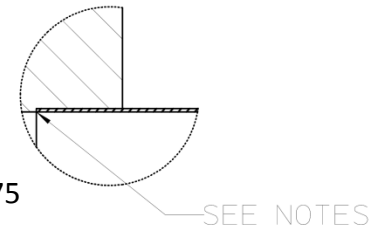
| REVISIONS | | | |
|-----------|------|-----|--------|
| No. | ZONE | ECN | CHANGE |
| 1 | | | |



FRONT 2
SCALE 2:1



SECTION B-B
SCALE 2:1



Detail1
Scale 5:1

NOTES:
1. ELECTRON BEAM WELD
2. HELIUM LEAK CHECK TO A RATE OF
LESS THAN 1×10^{-7} ATM-CC/SEC

| MATERIAL SPECIFICATION | | APPROVALS | |
|------------------------|-----------------|-----------------|--------|
| MATERIAL | ENGR | DATE | |
| FORM | ENGR MGR | DATE | |
| MODEL DATA | | DRAWING DATA | |
| MODEL NAME | STATE | DATE | |
| gsy_dd_v_smpl_can375 | work | 1/11/06 9:24 AM | |
| CREATOR | DATE | VERSION | SHEETS |
| allen | 1/6/06 2:01 PM | 1 | |
| DRAFTER | DATE | ENGINEER | |
| allen | 1/11/06 9:22 AM | allen | |
| LAST UPDATE BY | DATE | PHONE # | |
| allen | 2/1/06 9:34 AM | | |

UNLESS OTHERWISE SPECIFIED
DIMENSIONS ARE IN INCHES
TOLERANCES ARE:
DECIMALS FRACTIONS
.XXX +.005 +.015
.XX +.01
ANGLES ±.5

DO NOT SCALE DRAWING

THIRD ANGLE PROJECTION

| | | | |
|---|--------------|--|--|
| NIST National Institute of Standards and Technology Technology Administration, U.S. Department of Commerce | | CENTER FOR NEUTRON RESEARCH 100 BUREAU DRIVE GAITHERSBURG, MD. 20899 | |
| FOR ASY_DD_V_SMPL_CAN375 | | | |
| SIZE | DWG No. | REV | |
| B | 014-0574 | 1 | |
| SCALE | RELEASE DATE | SHEET | |
| 1:1 | | 2 of 2 | |
| CALC. WT. | ACT. WT. | DIM. & TOL. PER ANSI Y14.5M-1982 | |