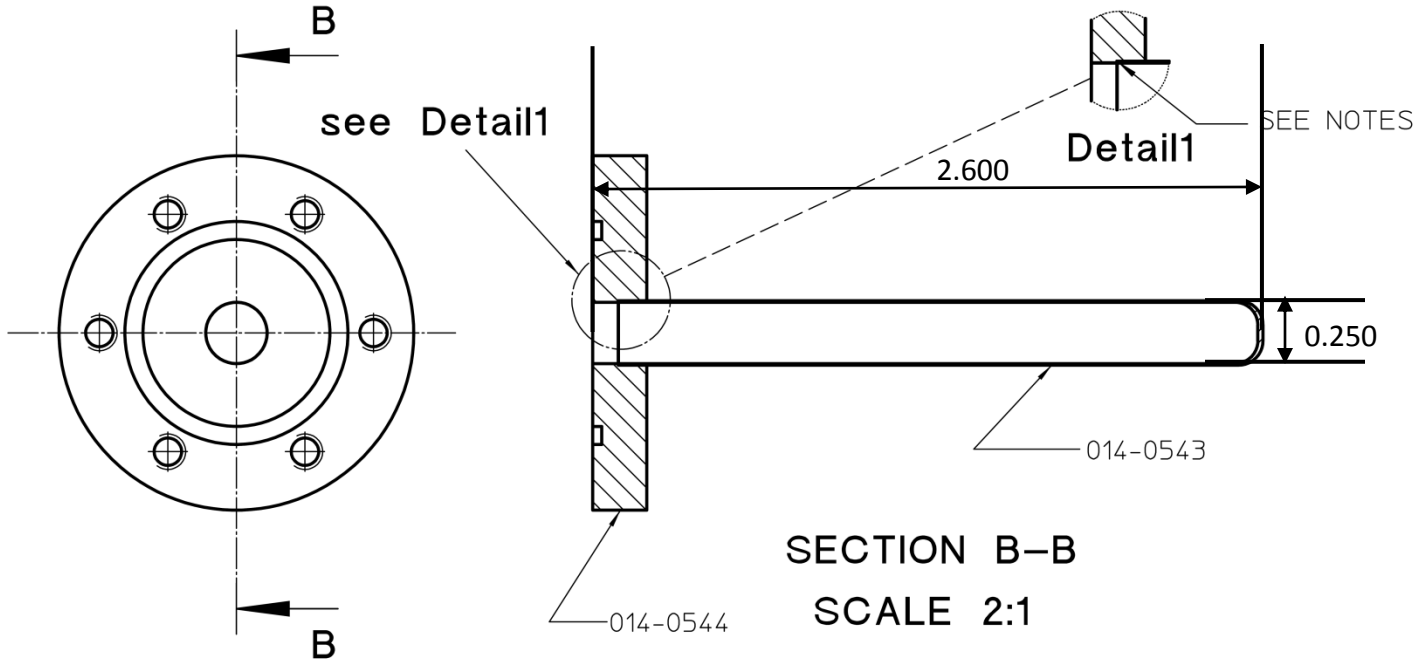


REVISIONS				
No.	ZONE	ECN	CHANGE	DATE
2				



SECTION B-B
SCALE 2:1

NOTES:
 1. ELECTRON BEAM WELD
 2. HELIUM LEAK CHECK TO A RATE OF
 LESS THAN 1×10^{-6} ATM-CC/SEC

MATERIAL SPECIFICATION		APPROVALS		UNLESS OTHERWISE SPECIFIED DIMENSIONS ARE IN INCHES TOLERANCES ARE : DECIMALS .XXX ±0.05 FRACTIONS ±0.15 .XX ±0.01 ANGLES ±5	NIST National Institute of Standards and Technology Technology Administration, U.S. Department of Commerce	CENTER FOR NEUTRON RESEARCH 100 BUREAU DRIVE GAITHERSBURG, MD, 20899		
MATERIAL	ENGR	DATE						
SIZE	MATERIAL FORM	ENGR MNGR	DATE		ASY_DD_V_SMP_L_CAN250			
CAD DATA		ANNOTATION DRAWING DATA						
PART NAME	STATE	DATE		DO NOT SCALE DRAWING	FOR			
Jim Larock	work	7/21/05 4:51 PM		THIRD ANGLE PROJECTION	SIZE B	DWG No.	014-0542	REV 2
CREATOR	DATE	VERSION	SHEETS		SCALE	1:1	RELEASE DATE	NEXT ASSY.
Jim Larock	07/23/03	2		ENGINEER	Jim Larock			SHEET
STATE	DATE	DRAFTER	DATE	PHONE #	(301) 975-6239	CALC. WT.	ACT. WT.	DIM. & TOL. PER ANSI Y14.5M-1982
work	7/23/03 2:47 PM	Jim Larock						2 of 2
LAST UPDATE BY	DATE	LAST UPDATE BY	DATE					
jm	7/22/05 3:48 PM	jm	7/22/05 3:48 PM					