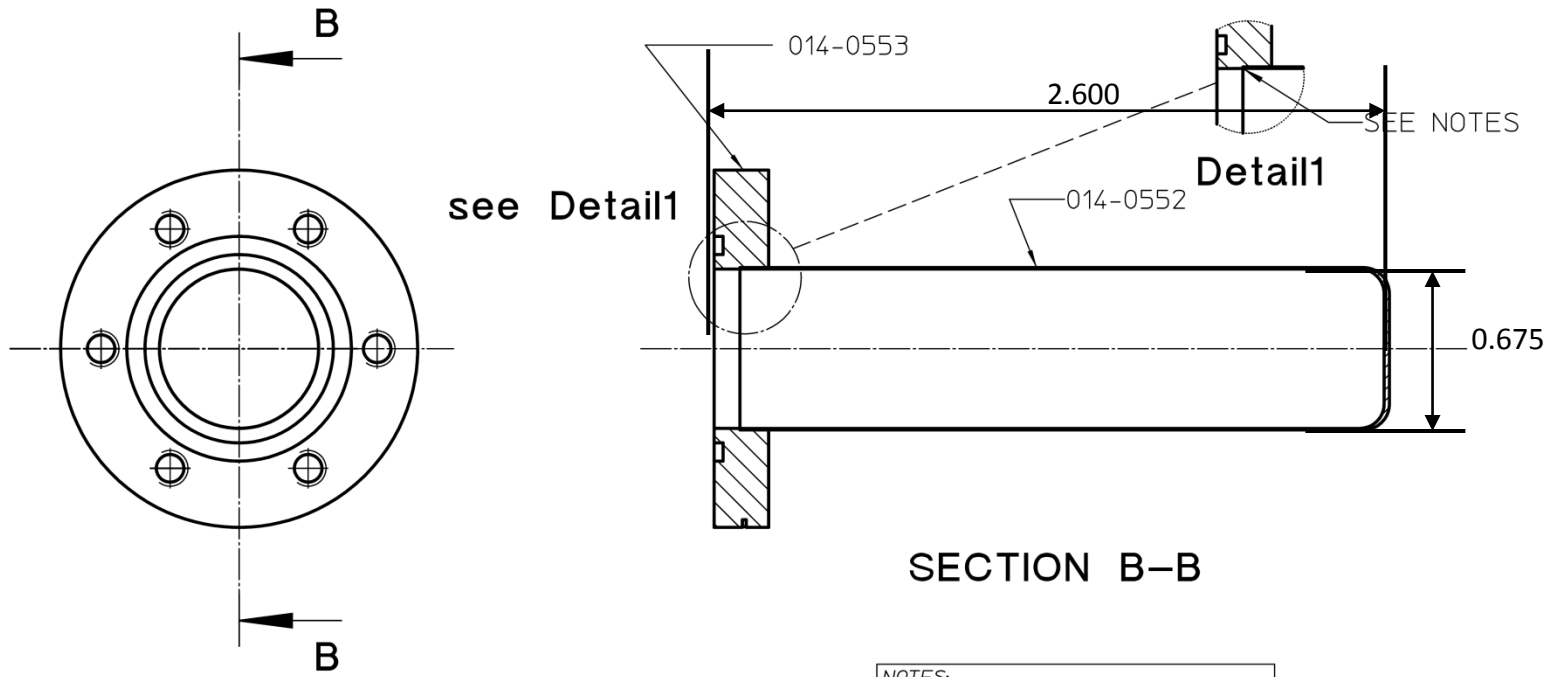


REVISIONS				
No.	ZONE	ECN	CHANGE	DATE
2				



NOTES:  
 1. ELECTRON BEAM WELD  
 2. HELIUM LEAK CHECK TO A RATE OF LESS THAN  $1 \times 10^{-7}$  ATM-CC/SEC

MATERIAL SPECIFICATION		APPROVALS		UNLESS OTHERWISE SPECIFIED DIMENSIONS ARE IN INCHES TOLERANCES ARE: DECIMALS FRACTIONS .XXX ±.005 ±.015 .XX ±.01 ANGLES ±5		<b>NIST</b> National Institute of Standards and Technology Technology Administration, U.S. Department of Commerce	CENTER FOR NEUTRON RESEARCH 100 BUREAU DRIVE GAITHERSBURG, MD. 20899		
MATERIAL	ENGR	DATE							
SIZE	MATERIAL FORM	ENGR MNGR	DATE						
CAD DATA		ANNOTATION DRAWING DATA		DO NOT SCALE DRAWING		FOR			
PART NAME	STATE	DATE	STATE	DATE	DATE	SIZE <b>B</b> DWG No. <b>014-0540</b> REV <b>2</b>			
CREATOR	DATE	VERSION	DATE	DATE	DATE	SCALE	RELEASE DATE	NEXT ASSY.	SHEET
Jim Larock	07/23/03	2	work	7/22/05 10:43 AM	7/23/03 11:52 AM	2:1			2 of 2
STATE	DATE	DRAFTER	DATE	ENGINEER	DATE	CALC. WT.	ACT. WT.	DIM. & TOL. PER ANSI Y14.5M-1982	
work	7/23/03 11:52 AM	Jim Larock		Jim Larock	7/22/05 3:42 PM				
LAST UPDATE BY	DATE	LAST UPDATE BY	DATE	PHONE #					
Jim	7/22/05 3:42 PM	Jim	7/22/05 3:42 PM	(301) 975-6239					

2

1

wm\_B