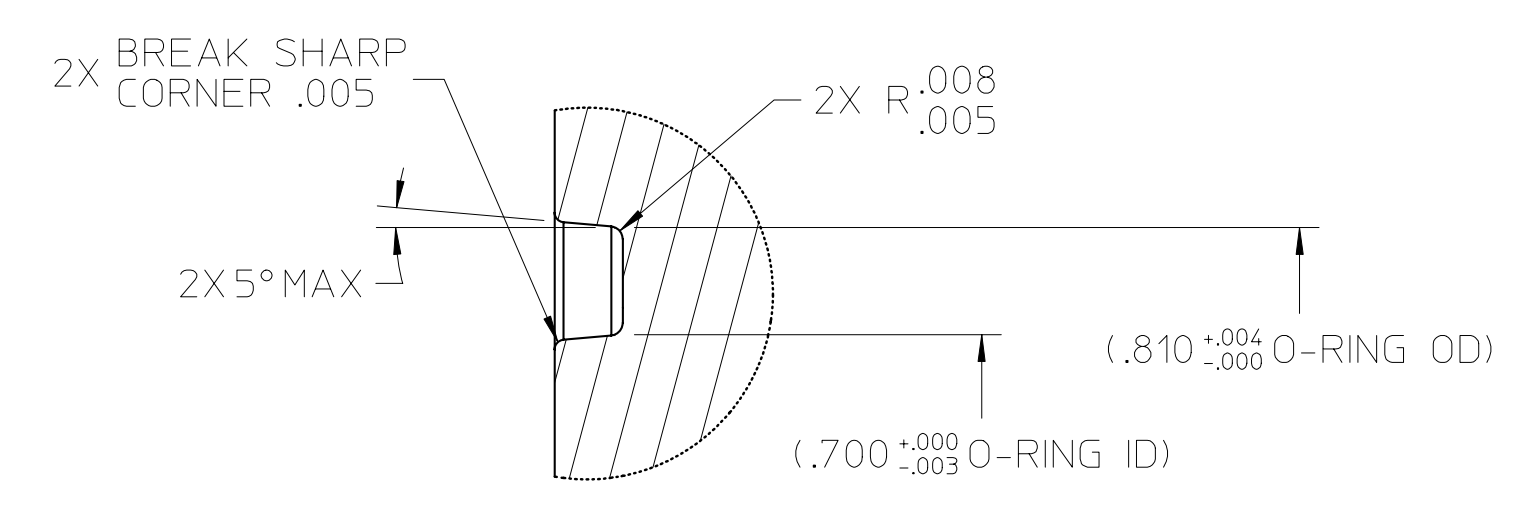
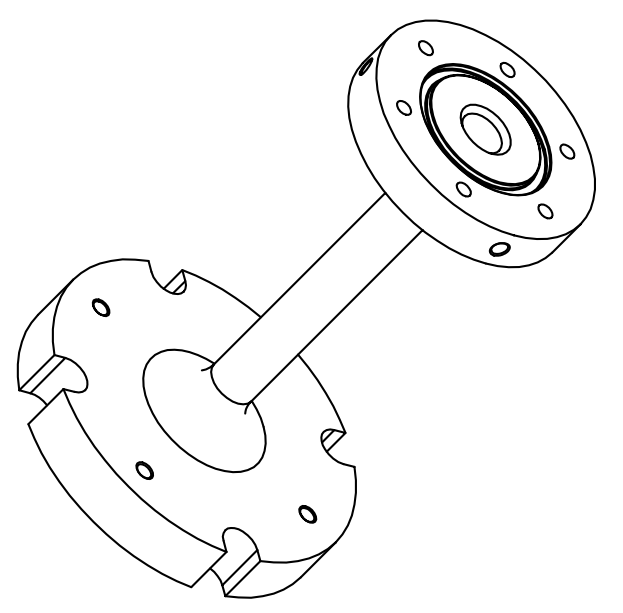
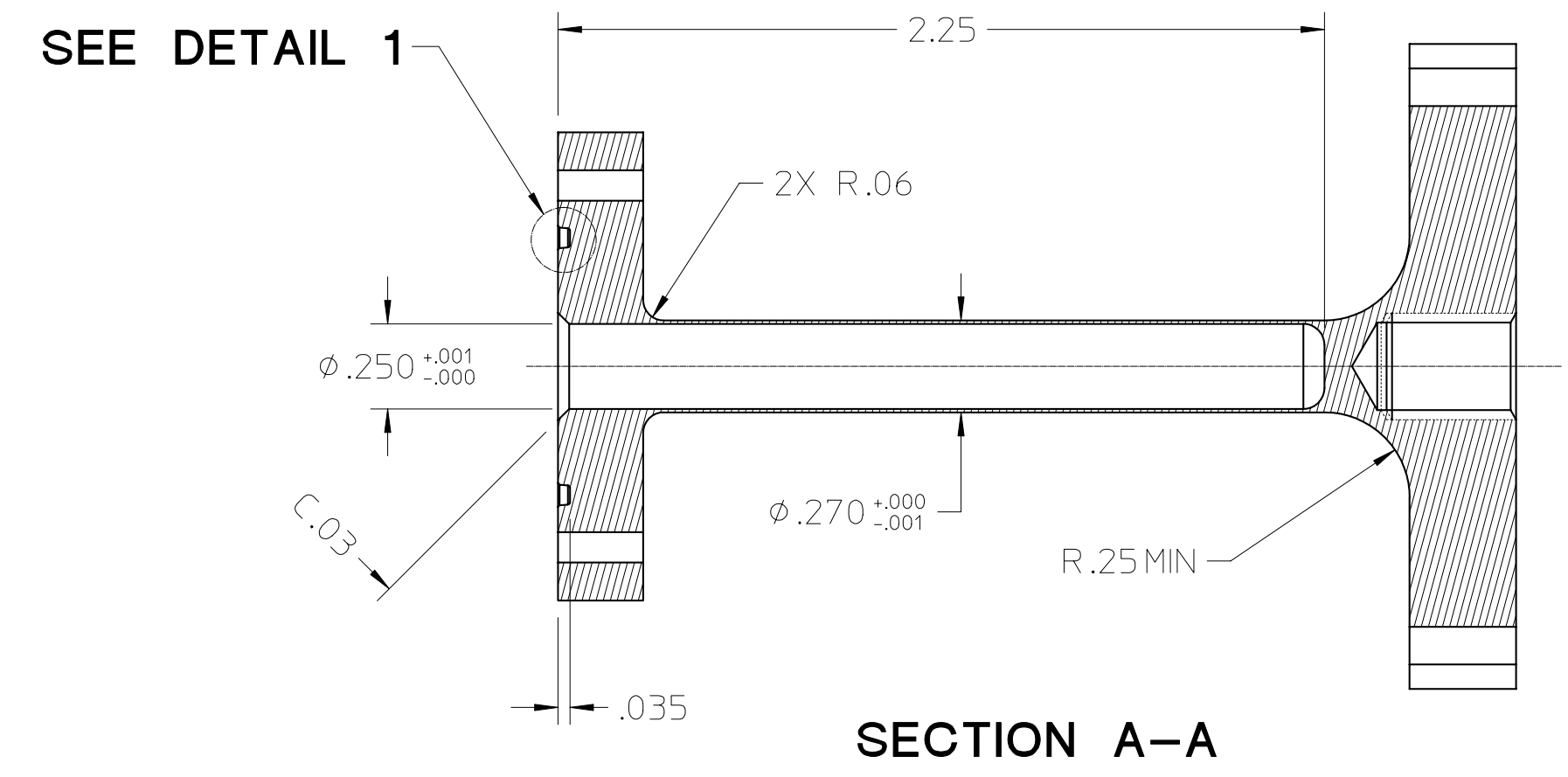


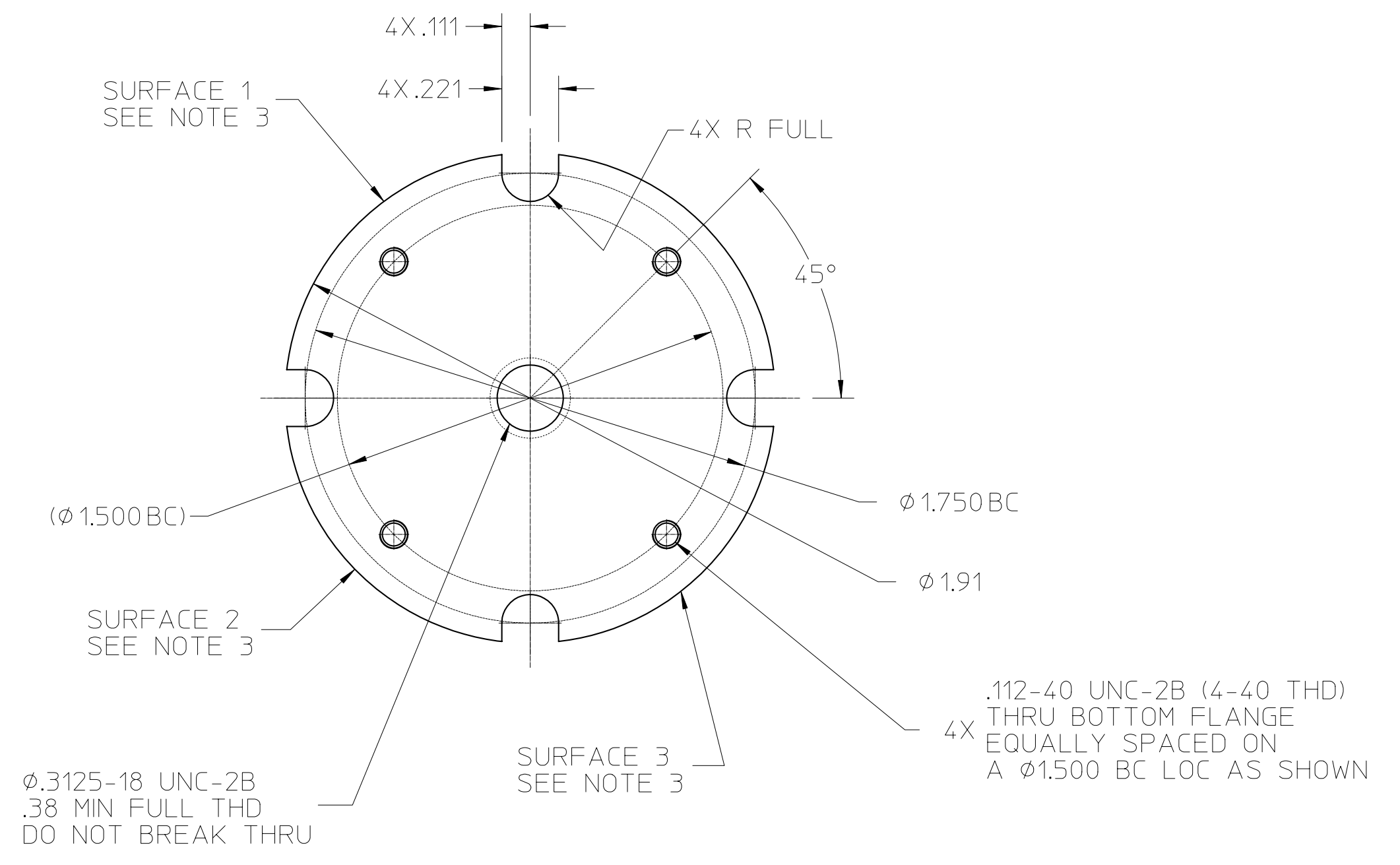
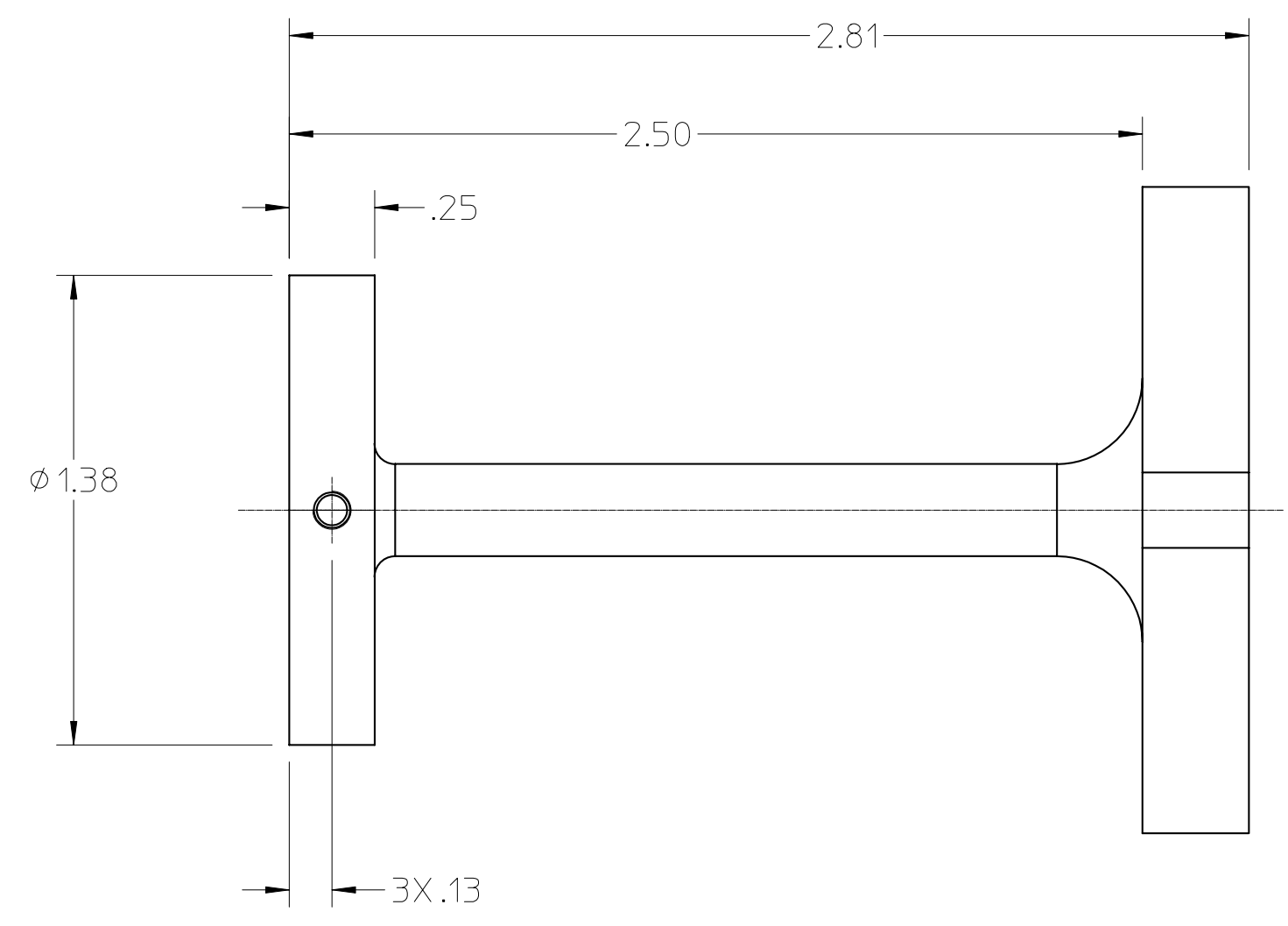
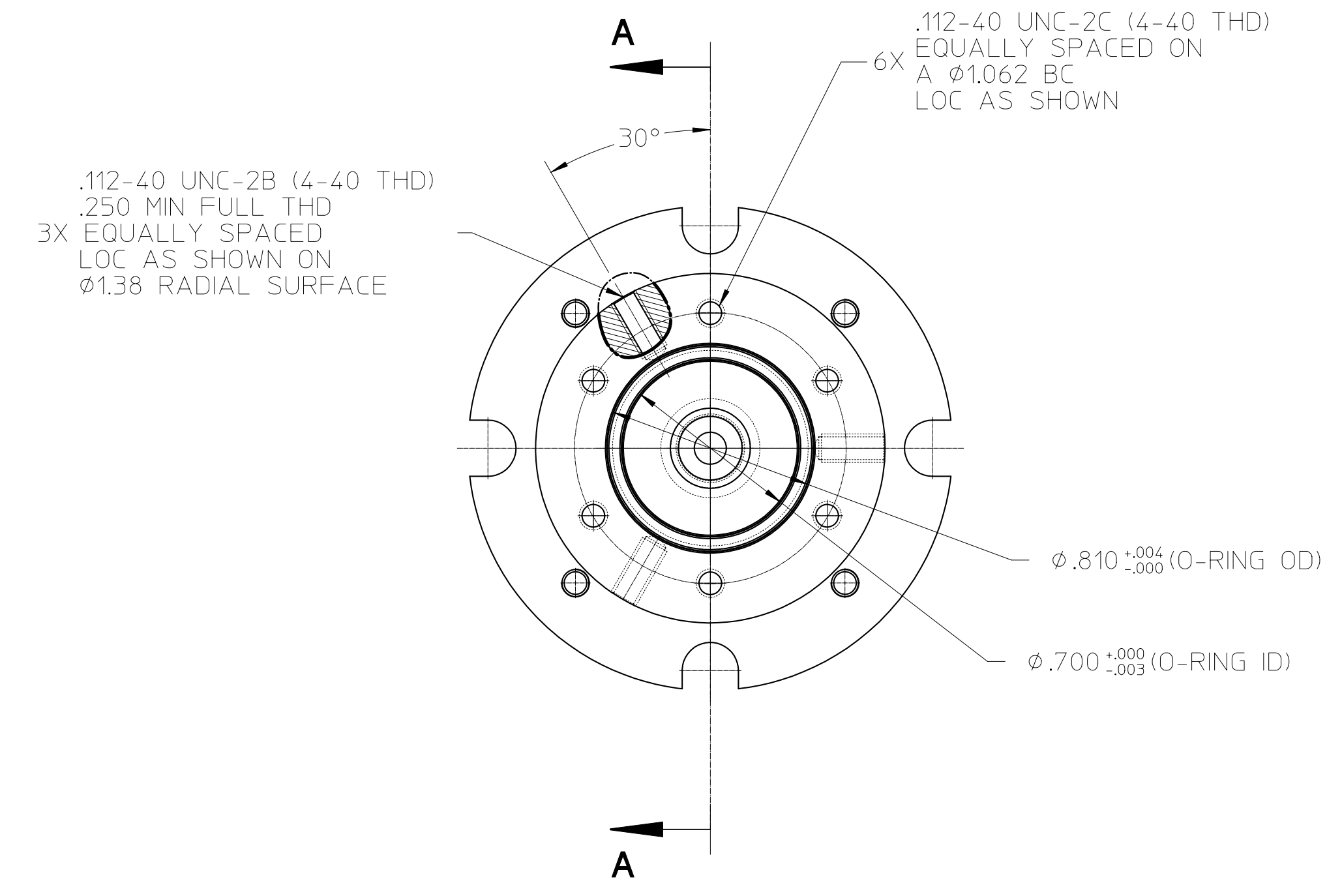
REVISIONS				
No.	ZONE	ECN	CHANGE	DATE
3				



DETAIL 1
SCALE 10:1



SECTION A-A



NOTES:
 1. MATERIAL: ALUMINUM 6061-T6
 2. UNLESS OTHERWISE SPECIFIED BREAK ALL SHARP EDGES .005 - .015
 3. SCRIBE, SURFACE 1, "014-0521"
 SURFACE 2; "1.6cc" (APPROX VOLUME) &
 SURFACE 3; "NO" FOLLOWED BY A SEQUENTIAL NUMBER ON EACH CAN USING INCREMENTS OF 1
 STARTING WITH THE NUMBER "N" (REFERENCE ORDER FOR VALUE OF "N") AND ENDING WITH
 ["N" + QUANTITY ORDERED - 1] (ie: "NO 1", "NO 2", "NO 3"...)
 USING .125 HIGH CHARACTERS, LOCATED ON THE φ1.91 RADIAL SURFACES AS INDICATED.
 NOTE 4 NOT APPLICABLE WITHIN THESE AREAS.

4. ALL SURFACES UNLESS OTHERWISE SPECIFIED

MATERIAL SPECIFICATION		DRAWING APPROVALS		UNLESS OTHERWISE SPECIFIED DIMENSIONS ARE IN INCHES TOLERANCES ARE: DECIMALS .005 FRACTIONS .015 XX ±.01 ANGLES ±5	 NIST National Institute of Standards and Technology <small>Technology Administration, U.S. Department of Commerce</small> 100 BUREAU DRIVE GAITHERSBURG, MD 20899	CENTER FOR NEUTRON RESEARCH	
MATERIAL	SIZE	ENGR	DATE			FOR	SCALE
ALUMINUM	6061-T6			DO NOT SCALE DRAWING	014-0521 BODY, SAMPLE CAN (0.25 ID) 1.6CC SAMPLE CAN ASSY (014-0520)		
FORM		ENGR	DATE	THIRD ANGLE PROJECTION		SIZE D DWG No. 014-0521 SHEET 3 SCALE 2:1 RELEASE DATE SHEET 1 of 1 DIM. & TOL. PER ANSI Y14.5M-1982	
MODEL DATA		DRAWING DATA					
MODEL NAME	body_05_01.d	STATE	DATE				
VERSION	3	WORK	DATE				
CREATOR	5/6/03 12:00 AM	SHEETS	DATE				
		1	DATE				
			DATE				
			DATE				
			DATE				