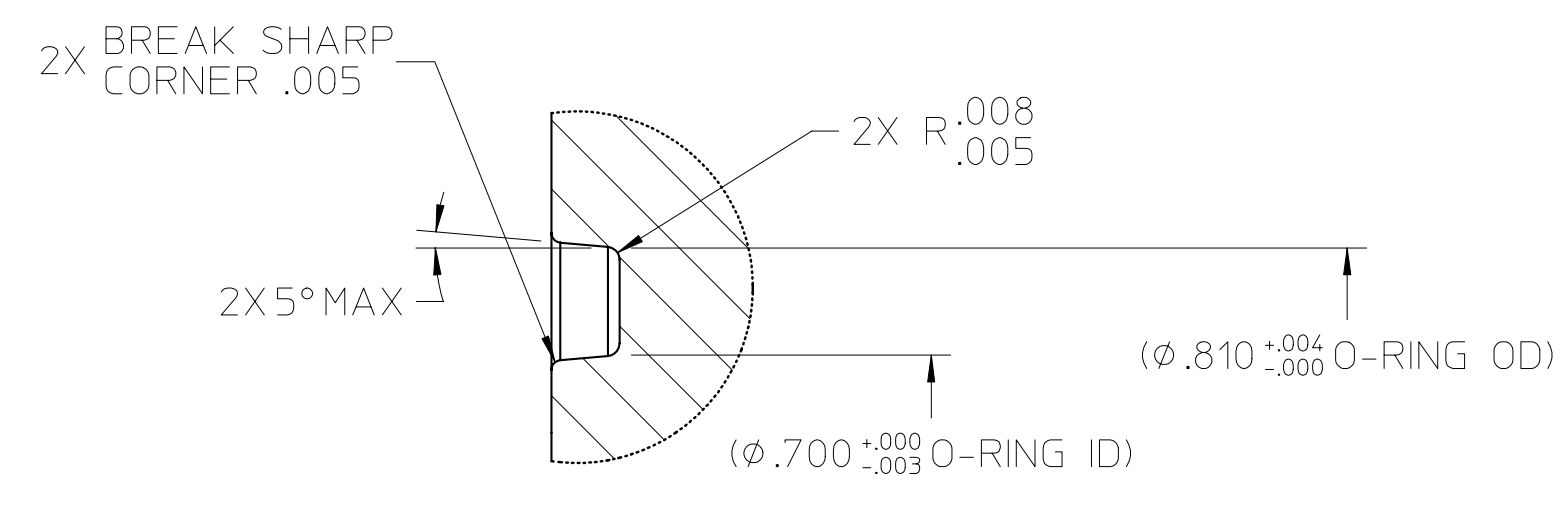
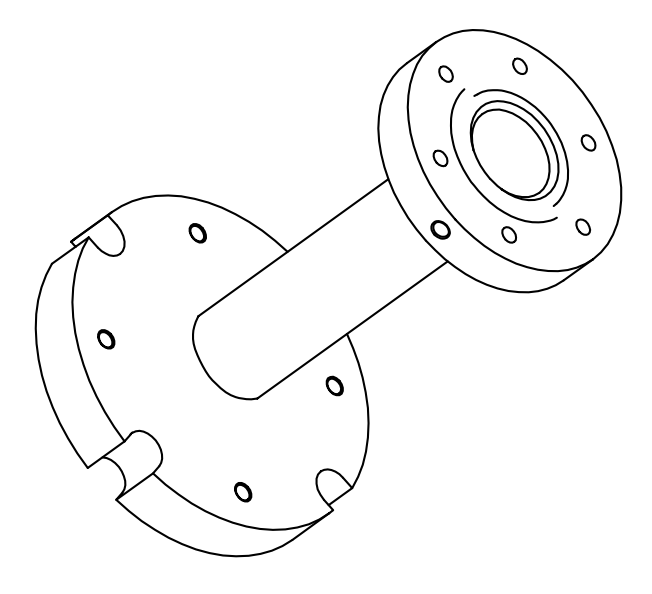
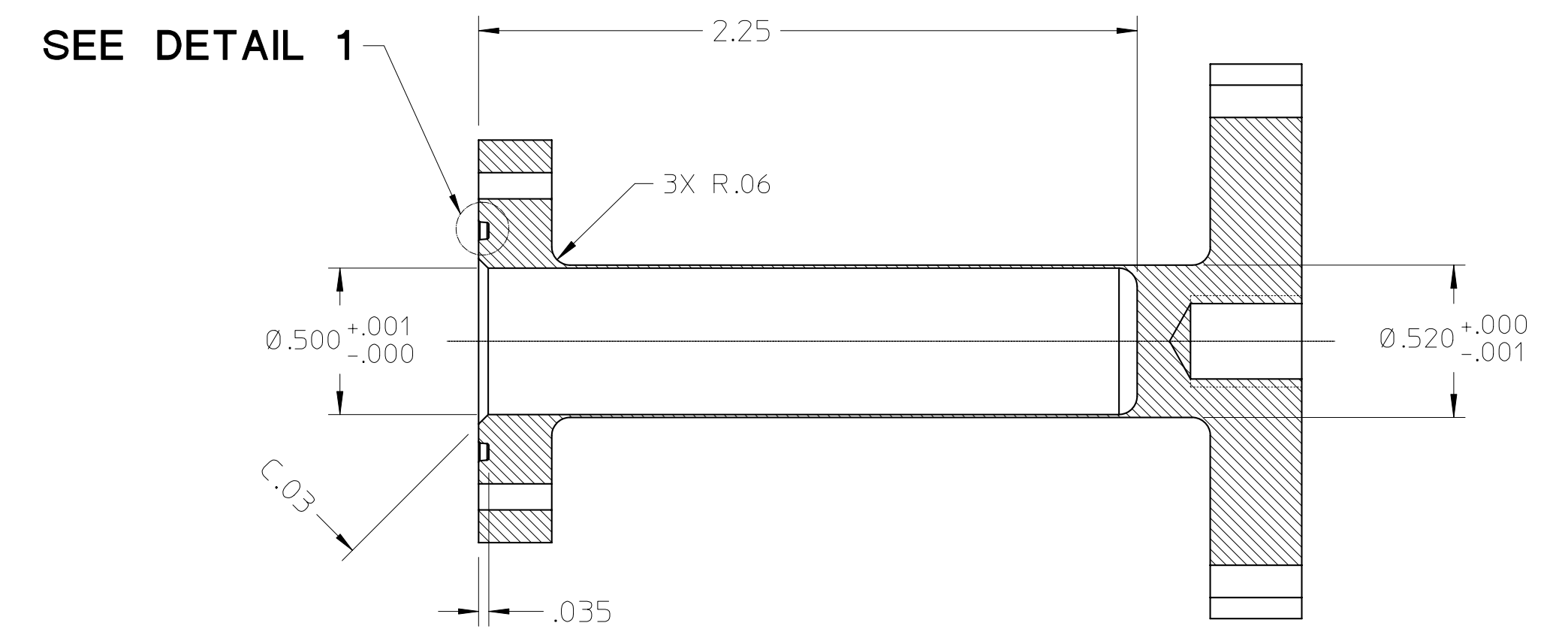


REVISIONS				
No.	ZONE	ECN	CHANGE	DATE
4				

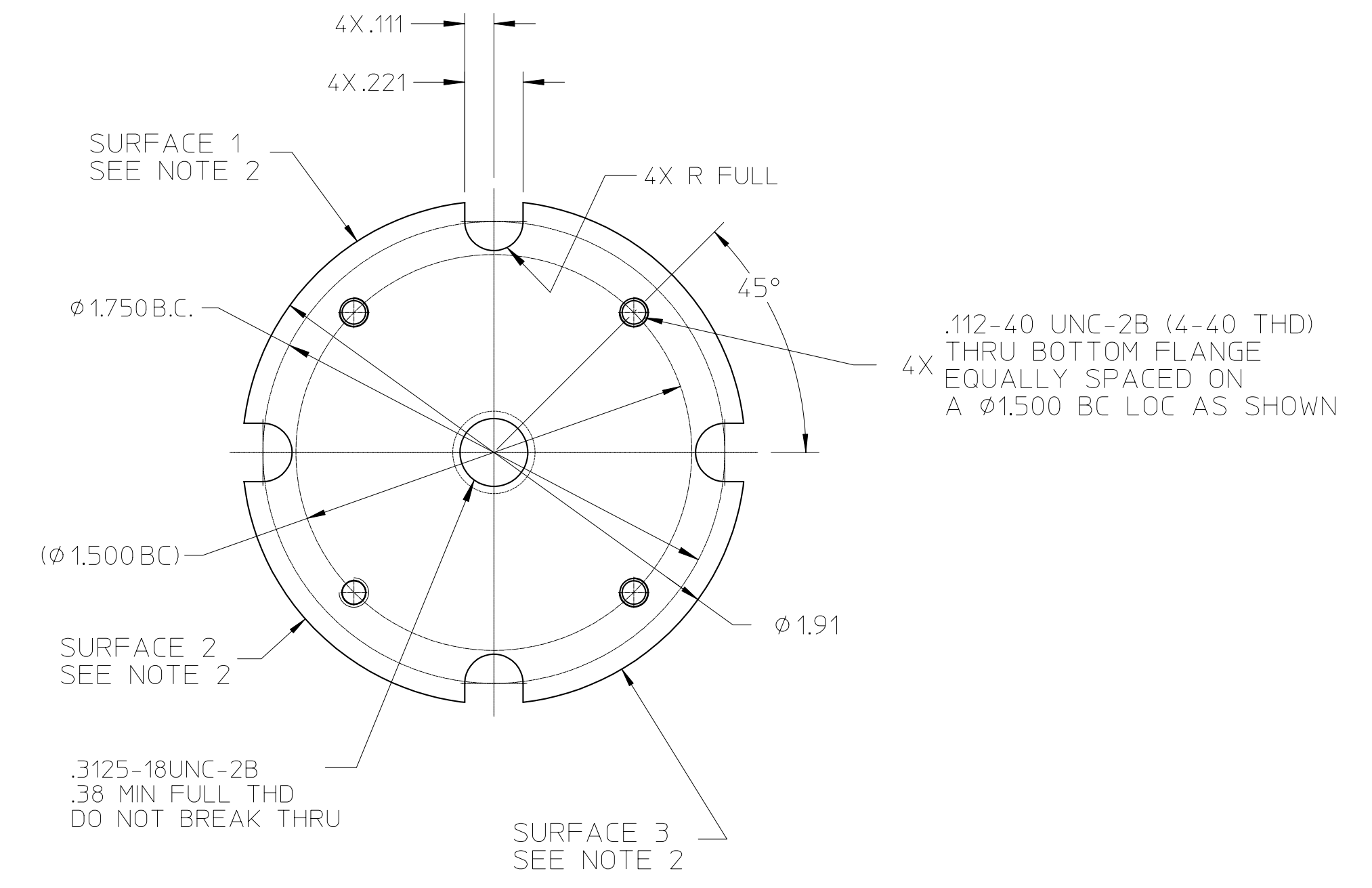
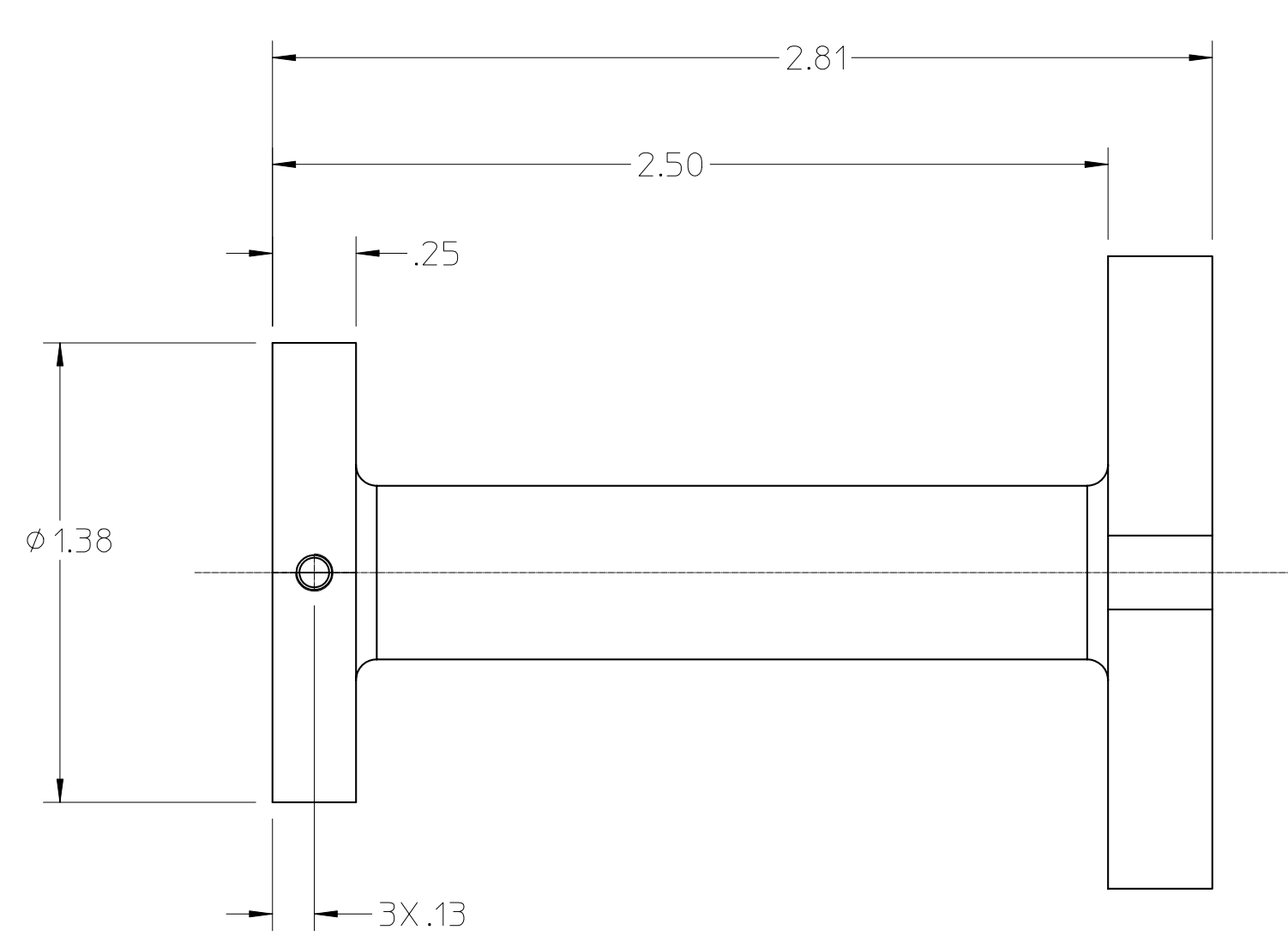
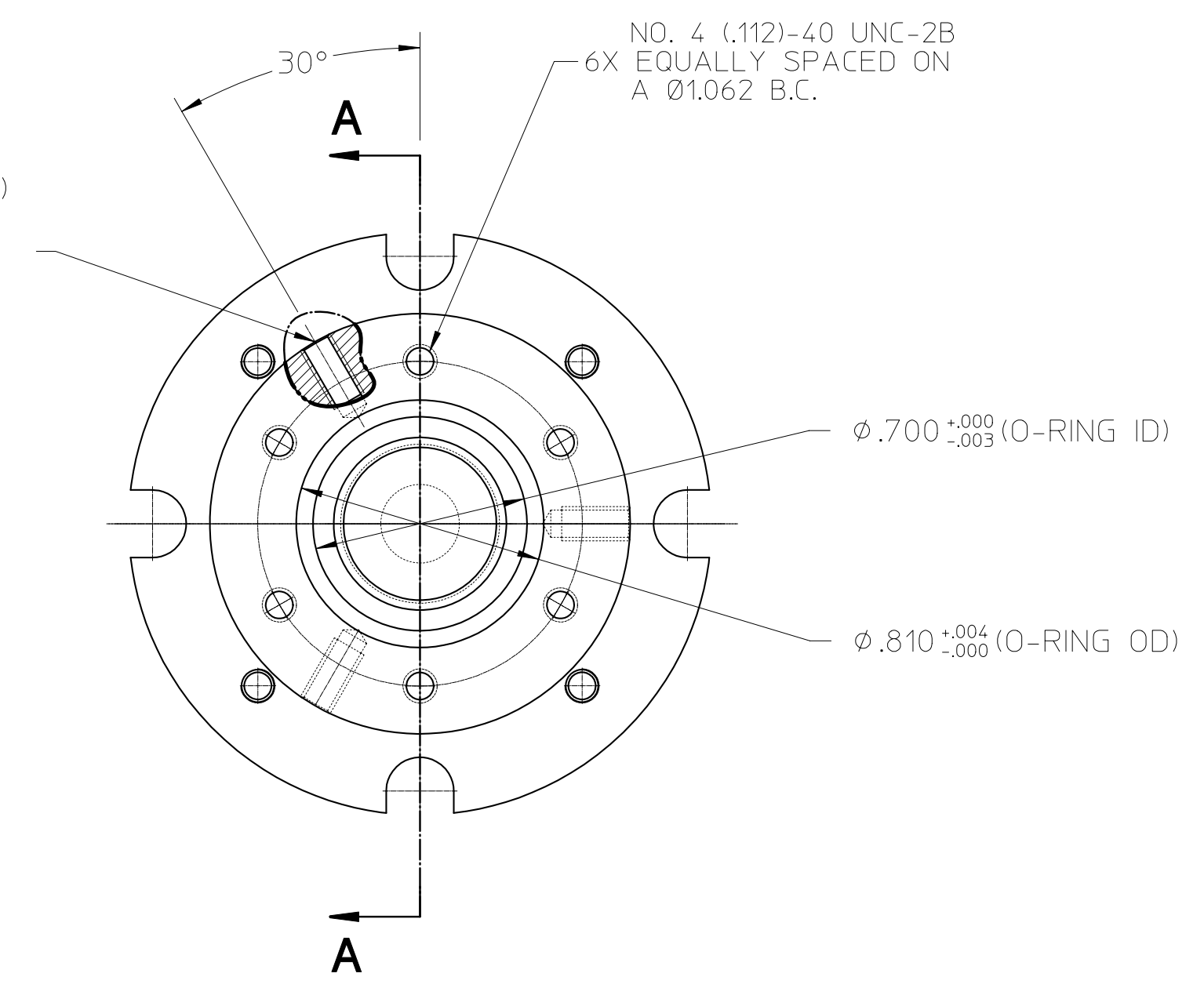


**DETAIL 1**  
SCALE 10:1



**SECTION A-A**

.112-40 UNC-2B (4-40 THD)  
.250 MIN FULL THD  
3X EQUALLY SPACED  
LOC AS SHOWN ON  
 $\phi 1.38$  RADIAL SURFACE



**NOTES:**

- UNLESS OTHERWISE SPECIFIED BREAK ALL SHARP EDGES .005 - .015
- SCRIBE, SURFACE 1; "014-0254"  
SURFACE 2; "6.3cc" (APPROX VOLUME) &  
SURFACE 3; "NO" FOLLOWED BY A SEQUENTIAL NUMBER ON EACH CAN USING INCREMENTS OF 1  
STARTING WITH THE NUMBER "N" (REFERENCE ORDER FOR VALUE OF "N") AND ENDING WITH  
["N" + QUANTITY ORDERED - 1] (ie: "NO 1", "NO 2", "NO 3"...) USING .125 HIGH CHARACTERS, LOCATED ON THE  $\phi 1.91$  RADIAL SURFACES AS INDICATED.  
NOTE 3 NOT APPLICABLE WITHIN THESE AREAS.
- ALL SURFACES  $\frac{32}{}$  UNLESS OTHERWISE SPECIFIED

MATERIAL SPECIFICATION		DRAWING APPROVALS		UNLESS OTHERWISE SPECIFIED DIMENSIONS ARE IN INCHES TOLERANCES ARE: DECIMALS FRACTIONS XXX ±.005 ±.015 XX ±.01 ANGLES ±.5		NIST		CENTER FOR NEUTRON RESEARCH	
MATERIAL	SIZE	ENGR	DATE			National Institute of Standards and Technology Technology Administration, U.S. Department of Commerce		100 BUREAU DRIVE GAITHERSBURG, MD 20899	
ALUMINUM	6061-T6					FOR 6.3CC SAMPLE CAN ASSEMBLY (014-0253)			
MODEL DATA		DRAWING DATA		DO NOT SCALE DRAWING		SIZE	DWG No.	REV	
MODEL NAME	body	STATE	DATE	THIRD ANGLE PROJECTION		D	014-0254	4	
CREATOR	7/20/00 12:00 AM	VERSION	4			SCALE	RELEASE DATE	SHEET	
		DATE	1			2:1		1 of 1	
DRWFR	client	DATE	4/5/05 3:39 PM	ENGINEER		CALC. WT.	ACT. WT.	DIM. & TOL. PER ANSI Y14.5M-1982	
LAST UPDATE BY	client	DATE	4/13/05 9:56 AM	PHONE #	(301) 975-8364				